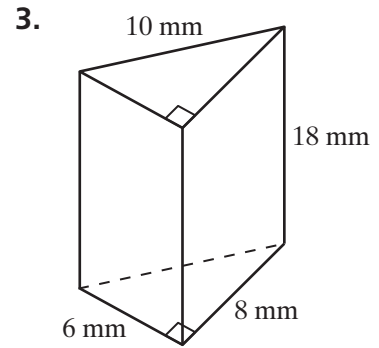
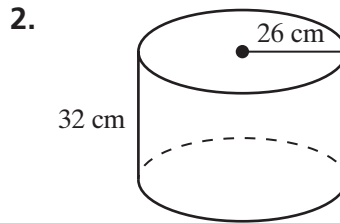
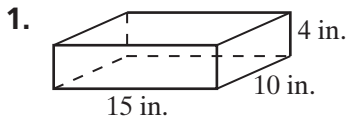


# Practice 10-5

## Surface Area: Prisms and Cylinders

Find the surface area of each space figure. If the answer is not a whole number, round to the nearest tenth.

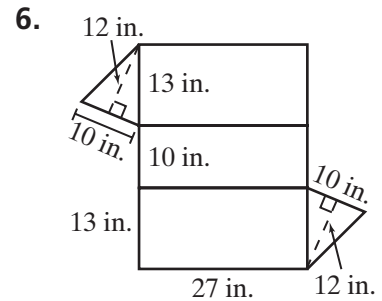
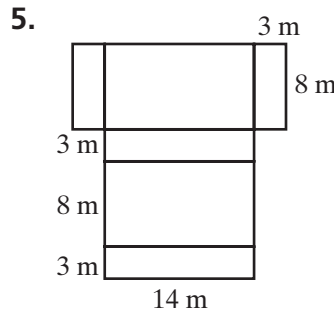
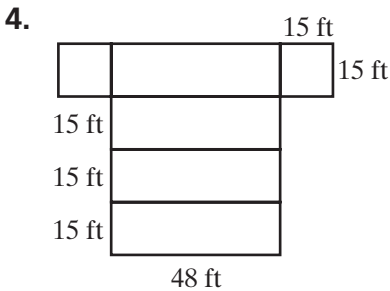


\_\_\_\_\_

\_\_\_\_\_

\_\_\_\_\_

Find the surface area of the space figure represented by each net to the nearest square unit.



\_\_\_\_\_

\_\_\_\_\_

\_\_\_\_\_

7. A room is 18 ft long, 14 ft wide, and 8 ft high.
- Find the cost of painting the four walls with two coats of paint costing \$9.50 per gallon. Each gallon covers  $256 \text{ ft}^2$  with one coat.  
\_\_\_\_\_
  - Find the cost of carpeting the floor with carpet costing  $\$5/\text{ft}^2$ .  
\_\_\_\_\_
  - Find the cost of covering the ceiling with acoustic tile costing  $\$7.50/\text{ft}^2$ .  
\_\_\_\_\_
  - Find the total cost of renovating the walls, floor, and ceiling.  
\_\_\_\_\_